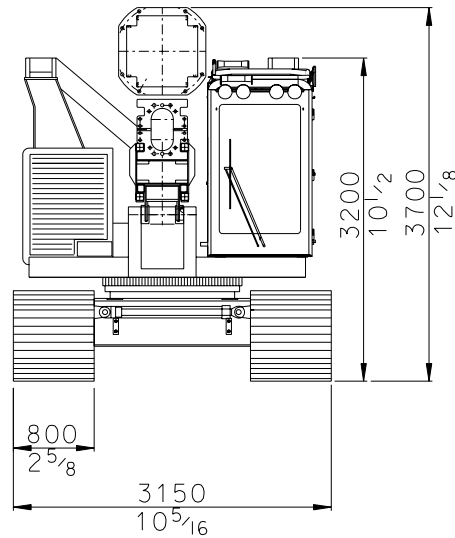
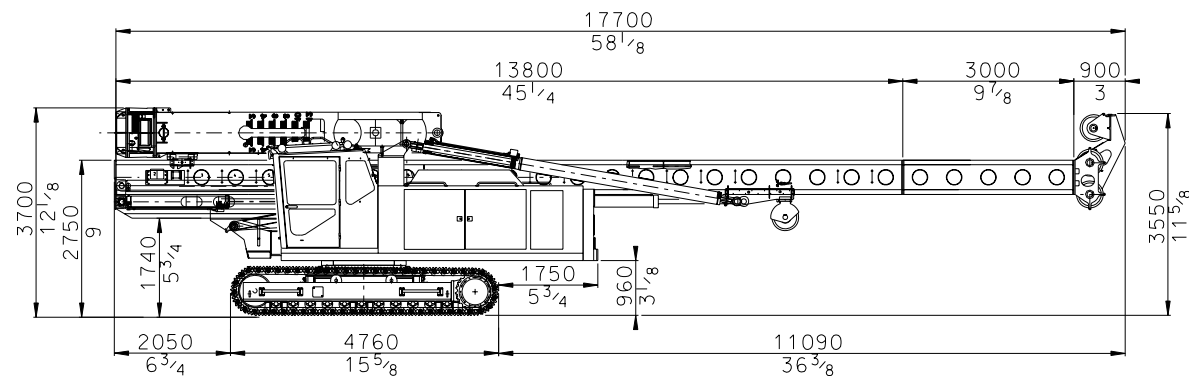


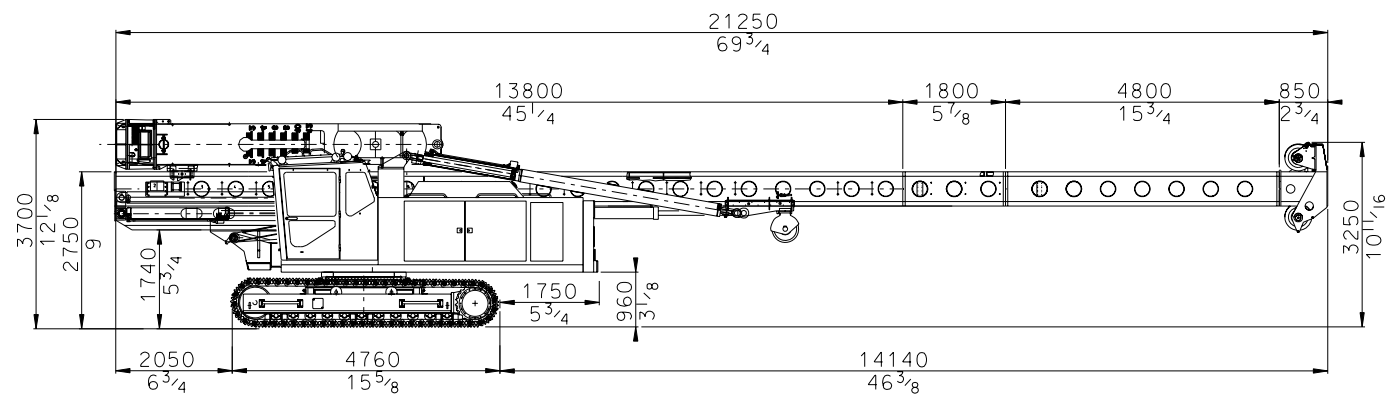
PM 20 Pile Driving Rig



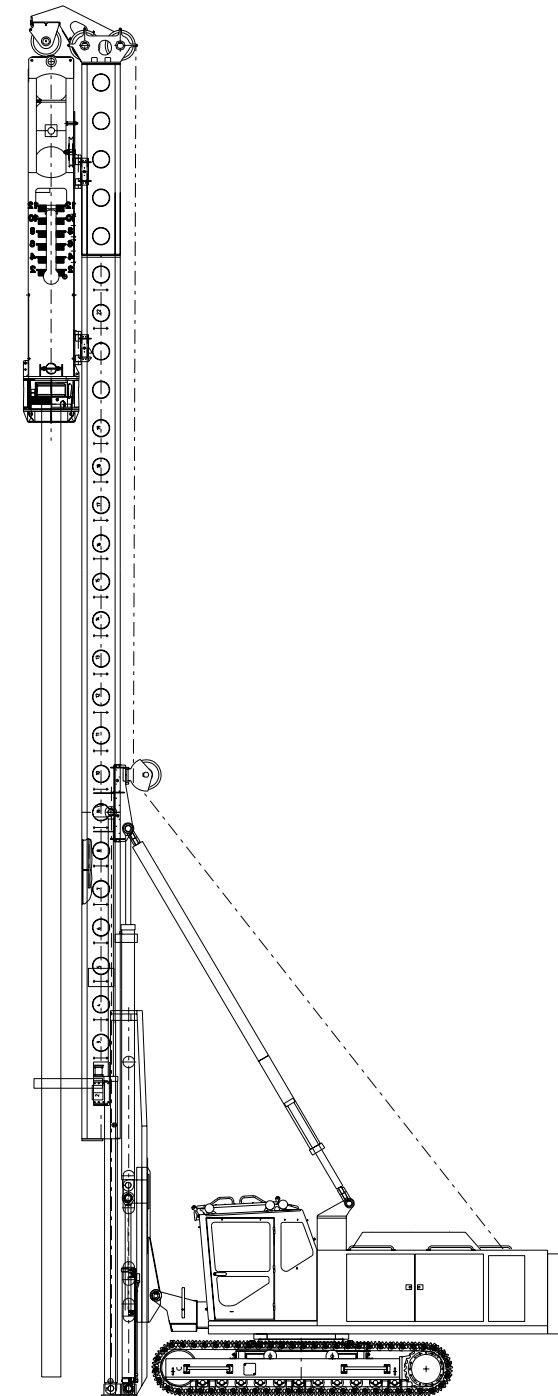
Minimum track width.



Standard PM 20 transport dimensions with HHK 4A hammer.



PM 20 transport dimensions with leader extension and HHK 4A hammer.

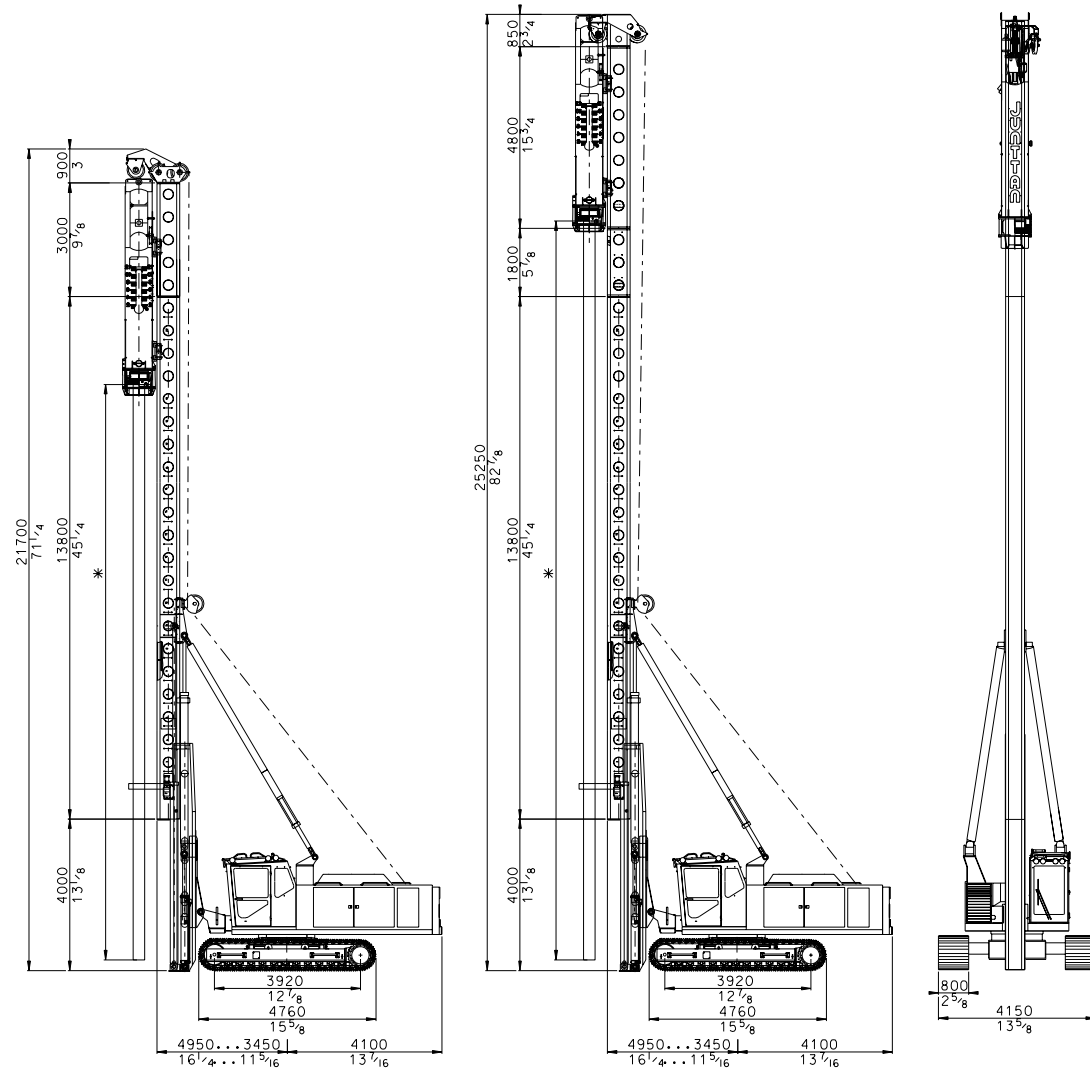


Junttan Oy reserves the right to amend the specification without prior notice. Error and misprints reserved. 20 March 2007 - version M120002.

General Information

Junttan PM 20 is a compact piling rig for pile driving timber, steel and concrete piles. It is an excellent combination of lightweight construction and the capacity for heavy duty pile driving. The recommended hammer weight is from 4 000 to 5 000 kg and the maximum pile length is 20 meters (65 ⁵/₈ ft). The rig has proven productivity due to excellent mobility. The telescopic leader ensures easy and fast handling of piles. Top pile driving performance is guaranteed with Junttan hydraulic hammers. An optional side drill or vibrator hammer makes pile driving even more efficient in some soil conditions. With optional Junttan equipment, optimised working set-up of the rig can be easily achieved.

This Junttan piling rig has the same proven features as the bigger Junttan machines. Its rugged design makes it a safe and reliable rig even in the most demanding working conditions. The self-erecting leader and many advanced technical features ensure that the rig is ready to work in just a few minutes. The ergonomic and safety tested cabin allows the driver to concentrate completely on his work. The expandable tracks and low centre of gravity make the rig exceptionally stable in different working situations. The horizontal movement of the leader ensures fast spotting of the pile. Because of the lightweight construction and size, the rig can be easily transported to a new working site.



Standard PM 20 with top cathead

PM 20 with leader extension and side cathead

* Pile length depends on the hammer. See the table of hydraulic hammers beside.

Technical Data

Leader			
Type			KE 200501
Length	Leader sections	m (ft)	13.8+3 (45 ¹ / ₄ +9 ⁷ / ₈)
	Total Length	m (ft)	21.7 (71 ¹ / ₄)
Maximum capacity (pile+hammer)		kg (lb)	13 000 (28 700)
Movements	Vertical movement up/down	mm (inch)	1000/500 (40/20)
	Horizontal movement max.	mm (inch)	1500 (59)
	Inclinations		According to a separate capacity table
Others			Hydraulic pile arms on leader
			Electronic leader inclinometer
Uppercarriage			
Winches	(single line pull, 1. layer)		
	Main winch (hammer)	kg (lb)	10 000 (22 000)
	Aux. winch (pile)	kg (lb)	8 000 (17 600)
Engine	Make and Model		Cummins QSB6.7
	Max. power	kW (hp)	179 (240)
	Fuel tank volume	l (gal)	600 (158)
Hydraulics	Hydraulic oil tank volume	l (gal)	600 (158)
	Max. oil flow	l/min (gpm)	2x 160 + 86 at 2000 rpm (2x 42 + 23 at 2000 rpm)
	Max. pressure	bar (psi)	320 (4640)
Counterweight	Weight	kg (lb)	5 200 (11 500)
Undercarriage			
Type			AV 200401
	Crawler length	mm (ft)	4760 (15 ⁵ / ₈)
	Min. width	mm (ft)	3150 (10 ⁵ / ₁₆)
	Max. width	mm (ft)	4150 (13 ⁵ / ₈)
	Lightened type track shoes	mm (ft)	800 (2 ⁵ / ₈)
Transport dimensions			
	Length	m (ft)	17.7 (58 ¹ / ₈)
	Width	mm (ft)	3150 (10 ⁵ / ₁₆)
	Height without hammer	mm (ft)	3550 (11 ⁵ / ₈)
	Height with hammer	mm (ft)	3700 (12 ¹ / ₈)
	Total weight	kg (lb)	39 000 (86 000)
(excluding hammer, counterweight and any additional equipment)			
Optional equipment			
	• Side cathead		• Energy measuring device
	• Leader extension 1.8+4.8m (5 ⁷ / ₈ +15 ³ / ₄ ft)		• Flat track shoes
	• Side drill (JD 1.5)		• Wide track shoes 900 mm (2 ¹⁵ / ₁₆ ft)
	• Stabilizers (rear legs)		• Movable counterweight
	• Air conditioning for cabin		• Other accessories available on request
Approvals			
Manufactured according to EN 996 standard			

Hydraulic hammer examples for Junttan PM 20					
Model		HHK 4AL	HHK 4A	HHK 4S	HHK 5A
Max. energy	kNm (ft-lbs)	31 (22 900)	47 (34 780)	59 (43 500)	59 (43 600)
Stroke	m (ft)	0.05-0.8 (³ / ₁₆ -2 ⁵ / ₈)	0.05-1.2 (³ / ₁₆ -3 ¹⁵ / ₁₆)	0.05-1.5 (³ / ₁₆ -4 ¹⁵ / ₁₆)	0.05-1.2 (³ / ₁₆ -3 ¹⁵ / ₁₆)
Blows (adjustable)	per min	40-100	40-100	40-100	40-100
Ram weight	kg (lb)	4 000 (8 800)	4 000 (8 820)	4 000 (8 820)	5 000 (11 020)
Total weight including drive cap	kg (lb)	6 200 (13 700)	7 500 (16 530)	7 900 (17 400)	8 600 (18 960)
Pile length without leader extension	m (ft)	16 (52 ¹ / ₂)	15 (49 ⁷ / ₃₂)	14 (45 ¹⁵ / ₁₆)	14 (45 ¹⁵ / ₁₆)
Pile length with leader extension	m (ft)	20 (65 ⁵ / ₈)	19 (62 ¹¹ / ₃₂)	18 (59 ¹ / ₁₆)	18 (59 ¹ / ₁₆)